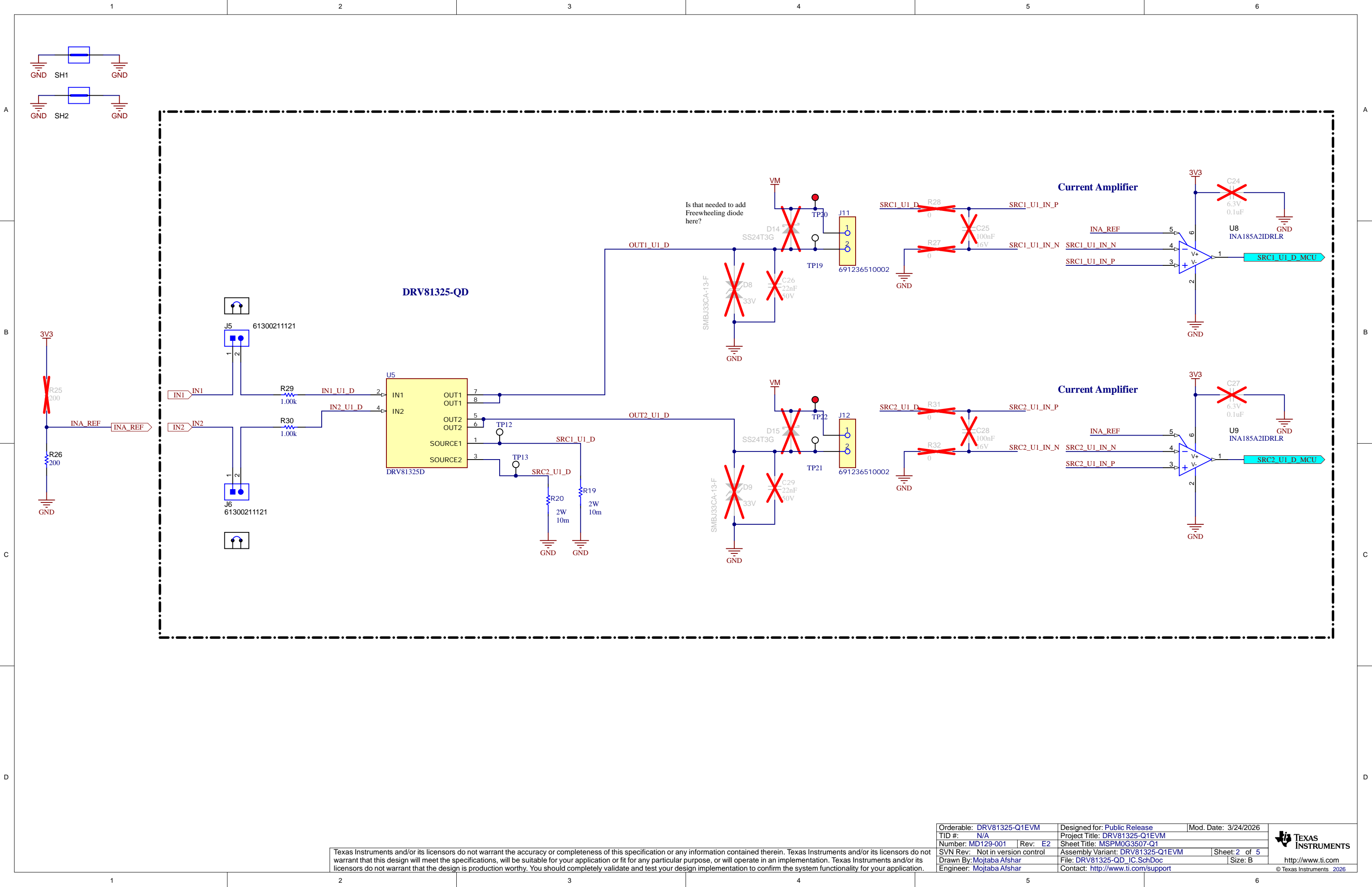


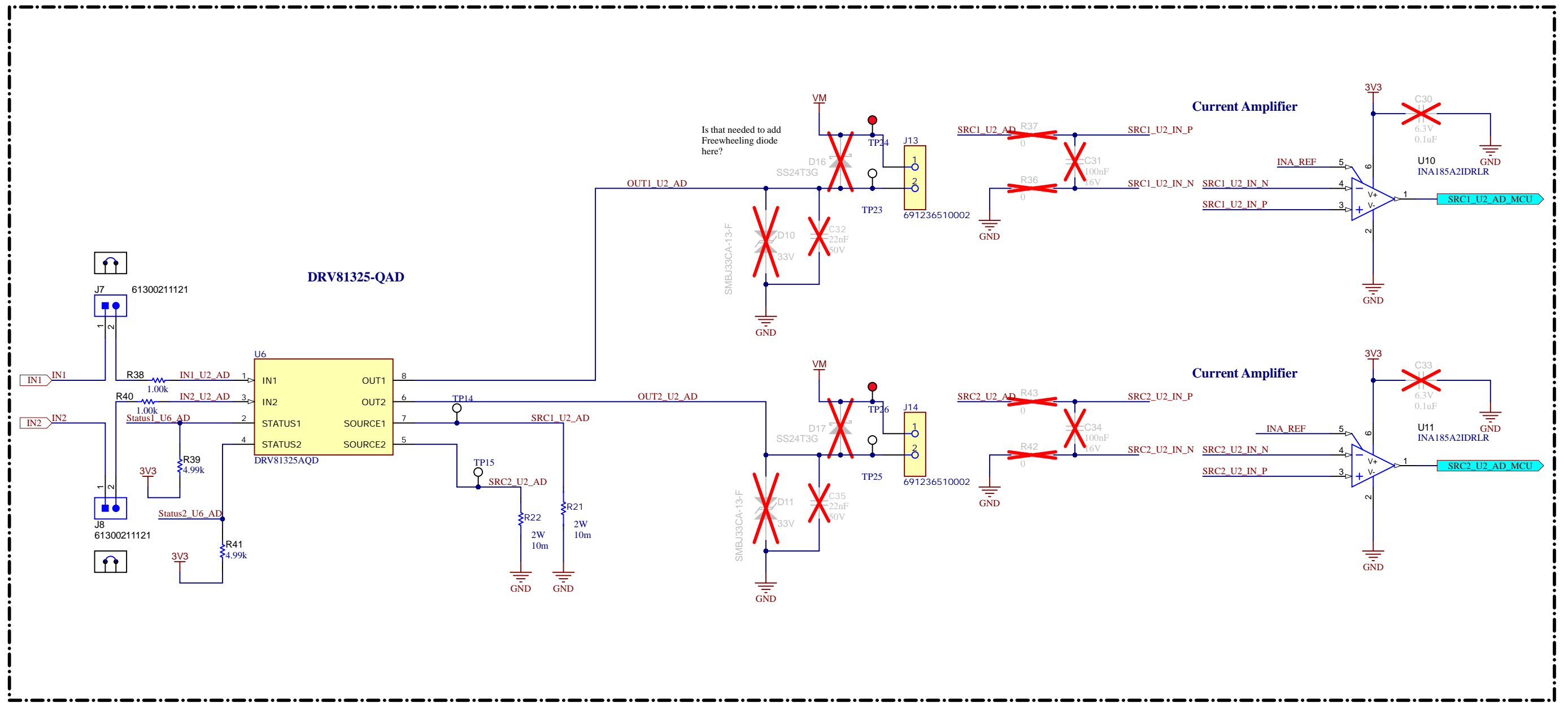
Texas Instruments and/or its licensors do not warrant the accuracy or completeness of this specification or any information contained therein. Texas Instruments and/or its licensors do not warrant that this design will meet the specifications, will be suitable for your application or fit for any particular purpose, or will operate in an implementation. Texas Instruments and/or its licensors do not warrant that the design is production worthy. You should completely validate and test your design implementation to confirm the system functionality for your application.



Texas Instruments and/or its licensors do not warrant the accuracy or completeness of this specification or any information contained therein. Texas Instruments and/or its licensors do not warrant that this design will meet the specifications, will be suitable for your application or fit for any particular purpose, or will operate in an implementation. Texas Instruments and/or its licensors do not warrant that the design is production worthy. You should completely validate and test your design implementation to confirm the system functionality for your application.

Orderable: DRV81325-Q1EVM	Designed for: Public Release	Mod. Date: 3/24/2026
TID #: N/A	Project Title: DRV81325-Q1EVM	
Number: MD129-001	Rev: E2	Sheet Title: MSPM0G3507-Q1
SVN Rev: Not in version control	Assembly Variant: DRV81325-Q1EVM	Sheet: 2 of 5
Drawn By: Mojtaba Afshar	File: DRV81325-QD_IC.SchDoc	Size: B
Engineer: Mojtaba Afshar	Contact: <a href="http://www.ti.com/support">http://www.ti.com/support</a>	





Status1\_U6\_AD  
Status2\_U6\_AD  
INA\_REF

J7 61300211121  
J8 61300211121

DRV81325-QAD  
U6  
IN1  
IN2  
OUT1  
OUT2  
STATUS1  
STATUS2  
SOURCE1  
SOURCE2  
DRV81325AQD

OUT1\_U2\_AD  
OUT2\_U2\_AD  
SRC1\_U2\_AD  
SRC2\_U2\_AD  
TP14  
TP15  
R21 2W 10m  
R22 2W 10m  
GND  
GND

VM  
TP23  
TP24  
TP25  
TP26  
J13  
J14  
691236510002  
691236510002

SRC1\_U2\_AD  
SRC1\_U2\_IN\_P  
SRC1\_U2\_IN\_N  
SRC2\_U2\_AD  
SRC2\_U2\_IN\_P  
SRC2\_U2\_IN\_N  
R37  
R36  
R43  
R42  
C31  
C34  
100nF  
16V

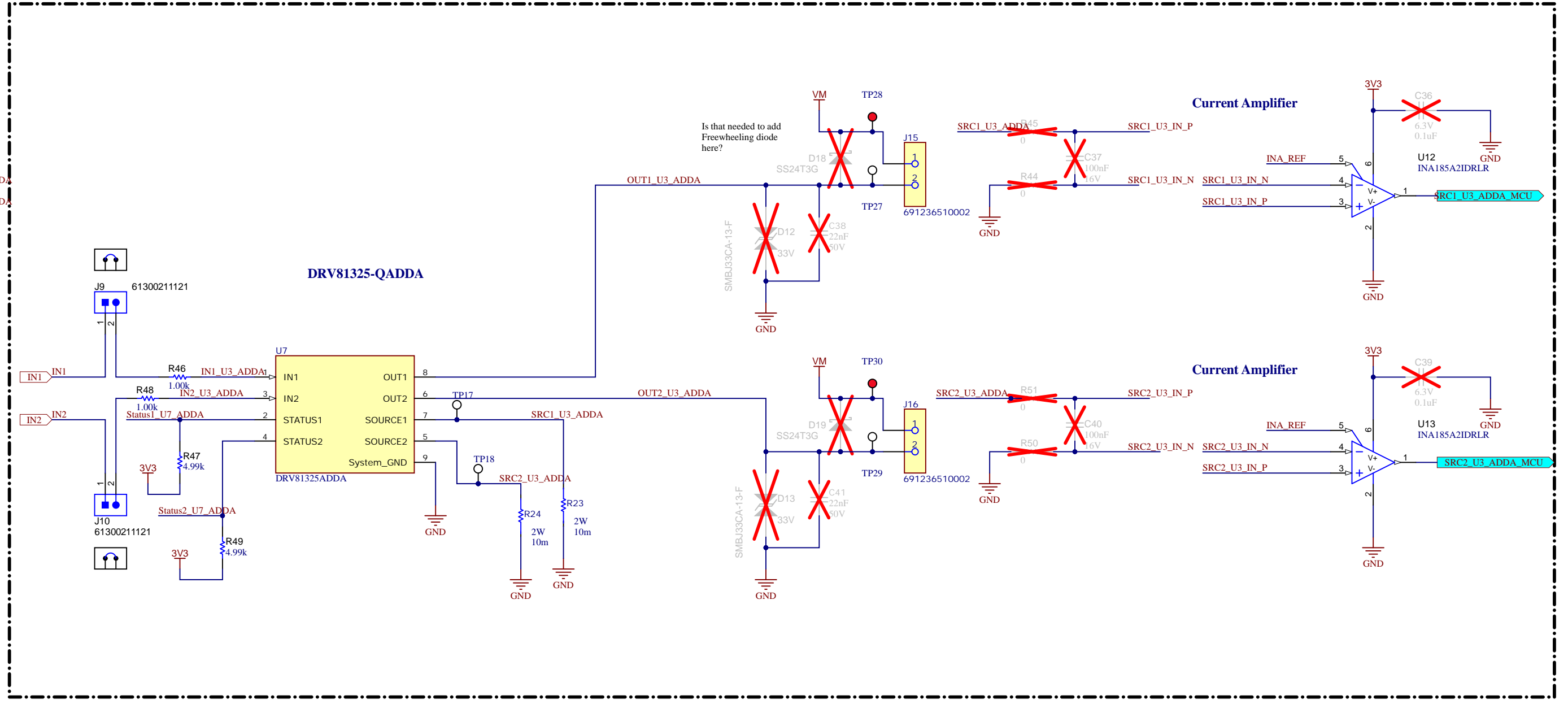
Current Amplifier  
Current Amplifier  
INA\_REF  
INA\_REF  
SRC1\_U2\_AD\_MCU  
SRC2\_U2\_AD\_MCU  
U10 INA185A2IDRLR  
U11 INA185A2IDRLR  
C30 6.3V 0.1uF  
C33 6.3V 0.1uF  
3V3  
GND  
GND

Texas Instruments and/or its licensors do not warrant the accuracy or completeness of this specification or any information contained therein. Texas Instruments and/or its licensors do not warrant that this design will meet the specifications, will be suitable for your application or fit for any particular purpose, or will operate in an implementation. Texas Instruments and/or its licensors do not warrant that the design is production worthy. You should completely validate and test your design implementation to confirm the system functionality for your application.

Orderable: DRV81325-Q1EVM	Designed for: Public Release	Mod. Date: 3/24/2026
TID #: N/A	Project Title: DRV81325-Q1EVM	
Number: MD129-001	Rev: E2	Sheet Title:
SVN Rev: Not in version control	Assembly Variant: DRV81325-Q1EVM	Sheet: 3 of 5
Drawn By: Mojtaba Afshar	File: DRV81325-QAD_IC.SchDoc	Size: B
Engineer: Mojtaba Afshar	Contact: <a href="http://www.ti.com/support">http://www.ti.com/support</a>	



© Texas Instruments 2026



Is that needed to add  
Freewheeling diode  
here?

Current Amplifier

Current Amplifier

Texas Instruments and/or its licensors do not warrant the accuracy or completeness of this specification or any information contained therein. Texas Instruments and/or its licensors do not warrant that this design will meet the specifications, will be suitable for your application or fit for any particular purpose, or will operate in an implementation. Texas Instruments and/or its licensors do not warrant that the design is production worthy. You should completely validate and test your design implementation to confirm the system functionality for your application.

Orderable: DRV81325-Q1EVM	Designed for: Public Release	Mod. Date: 3/24/2026
TID #: N/A	Project Title: DRV81325-Q1EVM	
Number: MD129-001	Rev: E2	Sheet Title:
SVN Rev: Not in version control	Assembly Variant: DRV81325-Q1EVM	Sheet: 4 of 5
Drawn By: Mojtaba Afshar	File: DRV81325-QADDA_IC.SchDoc	Size: B
Engineer: Mojtaba Afshar	Contact: <a href="http://www.ti.com/support">http://www.ti.com/support</a>	



© Texas Instruments 2026

MP1 SJ-5303 (CLEAR) MP2 SJ-5303 (CLEAR) MP3 SJ-5303 (CLEAR) MP4 SJ-5303 (CLEAR)

FID1 FID2 FID3

PCB Number: MD129-001  
PCB Rev: E2

PCB LOGO  
Texas Instruments



PCB LOGO  
FCC disclaimer

PCB LOGO  
WEEE logo



PCB LOGO  
CAUTION. READ USER GUIDE BEFORE USE

ZZ1  
**Label Assembly Note**  
This Assembly Note is for PCB labels only

ZZ2  
**Assembly Note**  
These assemblies are ESD sensitive, ESD precautions shall be observed.

ZZ3  
**Assembly Note**  
These assemblies must be clean and free from flux and all contaminants. Use of no clean flux is not acceptable.

ZZ4  
**Assembly Note**  
These assemblies must comply with workmanship standards IPC-A-610 Class 2, unless otherwise specified.

Orderable: DRV81325-Q1EVM	Designed for: Public Release	Mod. Date: 3/24/2026
TID #: N/A	Project Title: DRV81325-Q1EVM	
Number: MD129-001	Rev: E2	Sheet Title: HARDWARE
SVN Rev: Not in version control	Assembly Variant: DRV81325-Q1EVM	Sheet: 5 of 5
Drawn By: Mojtaba Afshar	File: DRV81325-Q1_HW.SchDoc	Size: B
Engineer: Mojtaba Afshar	Contact: <a href="http://www.ti.com/support">http://www.ti.com/support</a>	

Texas Instruments and/or its licensors do not warrant the accuracy or completeness of this specification or any information contained therein. Texas Instruments and/or its licensors do not warrant that this design will meet the specifications, will be suitable for your application or fit for any particular purpose, or will operate in an implementation. Texas Instruments and/or its licensors do not warrant that the design is production worthy. You should completely validate and test your design implementation to confirm the system functionality for your application.